

Low Profile or Prominent, AC Voltage

## Key Characteristics

### Functional

- 10mm mounting
- 80° or 100° viewing angle

### Resilient

- IP66 sealed
- -40°C to +85°C operating and storage temp
- Corrosion resistant finish

### Adaptable

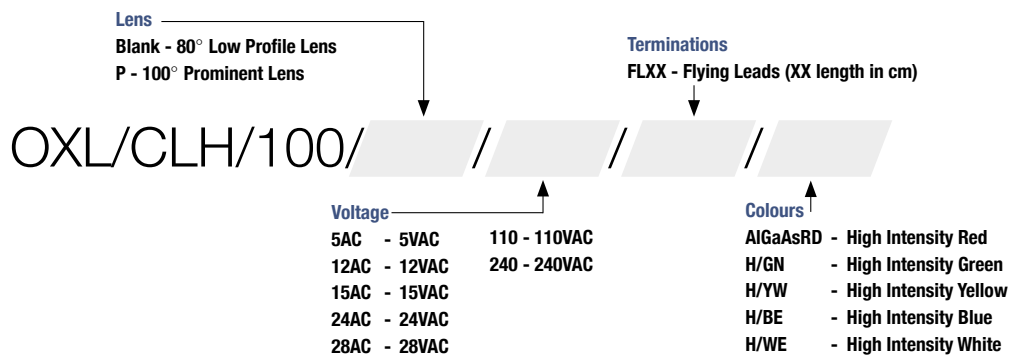
- Full colour range with lens options
- Voltage and current options
- Customer specials on request



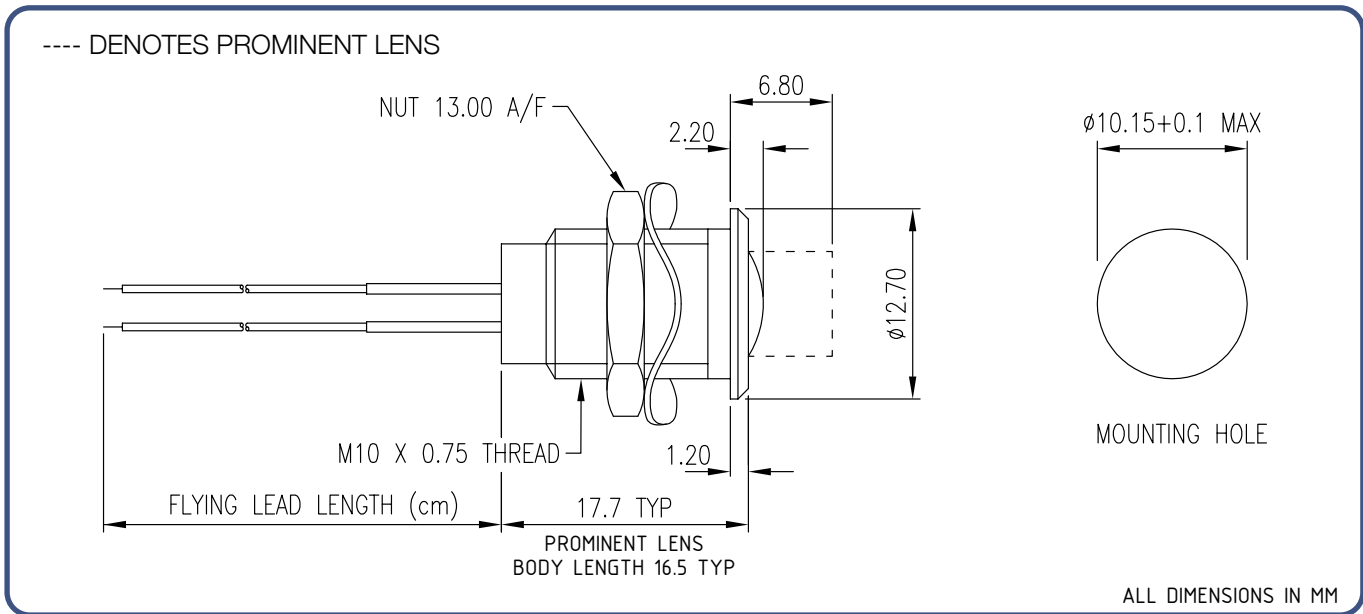
## Specifications

COLOURS									
Luminous Intensity	mcd	White	Red	Yellow	Green	Blue	Voltage		Current (mA)
							Forward	Reverse	
High Intensity	100	x	✓	x	x	x	5,12,15,24,28	5,12,15,24,28	7.5
	1000	x	x	✓	x	x	5,12,15,24,28	5,12,15,24,28	7.5
	2000	✓	x	x	✓	x	5,12,15,24,28	5,12,15,24,28	7.5
	375	x	x	x	x	✓	5,12,15,24,28	5,12,15,24,28	7.5
Luminous Intensity		White	Red	Yellow	Green	Blue	Voltage		
mcd (110VAC)	mcd (240VAC)						110VAC/MA	240VAC/MA	
High Intensity	70	35	x	✓	x	x	110/5	240/2.5	
	700	350	x	x	✓	x	110/5	240/2.5	
	1300	650	✓	x	x	✓	110/5	240/2.5	
	250	125	x	x	x	x	✓	110/5	240/2.5

## Ordering Information



Example: OXL/CLH/100/12AC/FL30/AIGaAsRD - Low Profile Lens, 12VAC, Flying Leads 30cm, High Intensity Red  
 Example: OXL/CLH/100/P/110/FL30/YW - Prominent Lens, 110VAC, Flying Leads 30cm, High Intensity Yellow



## Technical Information

Terminations	Flying Leads, Copper Wire PVC Insulation
Body	Aluminium Alloy, Black Nickel Finish
Lens	Coloured Polycarbonate
Nut	Aluminium Alloy
Washer	BeCu. Tin Plated
Chassis Thickness	1.5mm min
Mounting Hole	10.15mm $\pm$ 0.1mm
Recommended Mounting Torque	1Nm
Mean Time Before Failure	90,000 Hours

### Termination Options



Flying Leads

### Lens Options



Low Profile



Prominent

